

Professional
AV Mounting Solutions



cletech

Digital Signage Solutions

Güzelyurt Mahallesi 5760 Sokak No:22
45030 Yunusemre / MANİSA / TÜRKİYE
Phone: +90 236 234 10 38

www.cletech.com.tr | info@cletech.com.tr | [twitter/cletechds](https://twitter.com/cletechds) | [instagram/cletechds](https://www.instagram.com/cletechds)

cletech

Explore the modular world of Cletech AV Mounts. Our innovative solutions empower you to customize products through various combinations of pole lengths, bar widths, hanging arm types, base and connection options. Tailor your setup precisely to meet your unique requirements.

Can't find the exact product you need? Reach out to us. Cletech guarantees a bespoke AV Mount solution for you.

For a comprehensive overview of our product types and detailed information, visit our website at www.cletech.com.tr.

Your AV experience, redefined.



TROLLEYS & FLOOR STANDS

PAGE
02



FIX FLOOR MOUNTS

PAGE
14



MULTI DISPLAY MOUNTS

PAGE
18



COMPONENTS & ACCESSORIES

PAGE
24

TROLLEYS & FLOOR STANDS

cletech



ST1L-A
Single Light Pole Floor Stand
from 32" up to 55" with Fix Arms

SPECIFICATIONS & OPTIONS

Reference Code	ST1L-A
Product Code	ST1L-A380-LP160-FA300
Available Screen Size	32" ~ 55"
VESA Pattern	Min 100x100, Max 300x300
Maximum Load	30 kg.
Fix Arms	Yes
Tilt Arms	Optional
Micro Adjustable Arms	No
Material	Steel, Aluminum, Plastic
Surface Finishing	Electrostatic Powder Coating
Colour Options	Black, Silver, White
Product Dimension	796x529x1649 mm (WxDxH)
Product Weight	31 kg.
Adjustable Base Feet	Standard
Wheel Kit	WK50 (Optional)
Cam Holder	CH01 (Optional)
Shelf	SH01 (Optional)
PDU	PDU3S (Optional)



ST1LD-B
Double Light Pole Floor Stand
from 55" up to 88" with Fix Arms

SPECIFICATIONS & OPTIONS

Reference Code	ST1LD-B
Product Code	ST1LD-B980-LP180-FA600
Available Screen Size	55" ~ 88"
VESA Pattern	Min 100x100, Max 900x600
Maximum Load	60 kg.
Fix Arms	Yes
Tilt Arms	Optional
Micro Adjustable Arms	Optional
Material	Steel, Aluminum, Plastic
Surface Finishing	Electrostatic Powder Coating
Colour Options	Black, Silver, White
Product Dimension	988x529x1894 mm (WxDxH)
Product Weight	55 kg.
Adjustable Base Feet	Standard
Wheel Kit	WK75 (Optional)
Cam Holder	CH01 (Optional)
Shelf	SH02 (Optional)
PDU	PDU3S (Optional)



ST1L-B
Single Light Pole Floor Stand
from 32" up to 65" with Fix Arms

SPECIFICATIONS & OPTIONS

Reference Code	ST1L-B
Product Code	ST1L-B480-LP160-FA400
Available Screen Size	32" ~ 65"
VESA Pattern	Min 100x100, Max 600x400
Maximum Load	40 kg.
Fix Arms	Yes
Tilt Arms	Optional
Micro Adjustable Arms	Optional
Material	Steel, Aluminum, Plastic
Surface Finishing	Electrostatic Powder Coating
Colour Options	Black, Silver, White
Product Dimension	796x529x1649 mm (WxDxH)
Product Weight	29 kg.
Adjustable Base Feet	Standard
Wheel Kit	WK50 (Optional)
Cam Holder	CH01 (Optional)
Shelf	SH01 (Optional)
PDU	PDU3S (Optional)



ST1S-B
Single Strong Pole Floor Stand
from 50" up to 75" with Fix Arms

SPECIFICATIONS & OPTIONS

Reference Code	ST1S-B
Product Code	ST1S-B480-SP160-FA400
Available Screen Size	50" ~ 75"
VESA Pattern	Min 100x100, Max 600x600
Maximum Load	60 kg.
Fix Arms	Yes
Tilt Arms	Optional
Micro Adjustable Arms	Optional
Material	Steel, Aluminum, Plastic
Surface Finishing	Electrostatic Powder Coating
Colour Options	Black, Silver, White
Product Dimension	796x529x1749 mm (WxDxH)
Product Weight	37 kg.
Adjustable Base Feet	Standard
Wheel Kit	WK75 (Optional)
Cam Holder	CH01 (Optional)
Shelf	SH02 (Optional)
PDU	PDU3S (Optional)



ST2L-A
Single Light Pole Trolley
from 40" up to 65" with Fix Arms

SPECIFICATIONS & OPTIONS

Reference Code	ST2L-A
Product Code	ST2L-A480-LP150-FA400
Available Screen Size	40" ~ 65"
VESA Pattern	Min 100x100, Max 600x400
Maximum Load	35 kg.
Fix Arms	Yes
Tilt Arms	Optional
Micro Adjustable Arms	No
Material	Steel, Aluminum, Plastic
Surface Finishing	Electrostatic Powder Coating
Colour Options	Black, Silver, White
Product Dimension	901x648x1600 mm (WxDxH)
Product Weight	18 kg.
Adjustable Base Feet	BF50 (Optional)
Wheel Kit	WK50 (Standard)
Cam Holder	CH01 (Optional)
Shelf	SH02 (Optional)
PDU	PDU3S (Optional)



ST2LD-B
Double Light Pole Trolley
from 55" up to 88" with Fix Arms

SPECIFICATIONS & OPTIONS

Reference Code	ST1LD-B
Product Code	ST2LD-B880-LP180-FA600
Available Screen Size	55" ~ 88"
VESA Pattern	Min 100x100, Max 800x800
Maximum Load	50 kg.
Fix Arms	Yes
Tilt Arms	Optional
Micro Adjustable Arms	Optional
Material	Steel, Aluminum, Plastic
Surface Finishing	Electrostatic Powder Coating
Colour Options	Black, Silver, White
Product Dimension	1237x851x1925 mm (WxDxH)
Product Weight	21 kg.
Adjustable Base Feet	BF50 (Optional)
Wheel Kit	WK75 (Standard)
Cam Holder	CH01 (Optional)
Shelf	SH02, SH03 (Optional)
PDU	PDU3S (Optional)



ST2L-B
Single Light Pole Trolley
from 40" up to 65" with Fix Arms

SPECIFICATIONS & OPTIONS

Reference Code	ST2L-B
Product Code	ST2L-B480-LP150-TA400
Available Screen Size	40" ~ 65"
VESA Pattern	Min 100x100, Max 600x400
Maximum Load	40 kg.
Fix Arms	Optional
Tilt Arms	Yes
Micro Adjustable Arms	Optional
Material	Steel, Aluminum, Plastic
Surface Finishing	Electrostatic Powder Coating
Colour Options	Black, Silver, White
Product Dimension	901x648x1600 mm (WxDxH)
Product Weight	28 kg.
Adjustable Base Feet	BF50 (Optional)
Wheel Kit	WK50 (Standard)
Cam Holder	CH01 (Optional)
Shelf	SH02 (Optional)
PDU	PDU3S (Optional)



ST2S-B
Single Strong Pole Trolley
from 50" up to 75" with Fix Arms

SPECIFICATIONS & OPTIONS

Reference Code	ST2S-B
Product Code	ST2S-B680-SP170-TA400
Available Screen Size	50" ~ 75"
VESA Pattern	Min 100x100, Max 600x400
Maximum Load	50 kg.
Fix Arms	Yes
Tilt Arms	Optional
Micro Adjustable Arms	Optional
Material	Steel, Aluminum, Plastic
Surface Finishing	Electrostatic Powder Coating
Colour Options	Black, Silver, White
Product Dimension	1001x699x1827 mm (WxDxH)
Product Weight	21 kg.
Adjustable Base Feet	BF50 (Optional)
Wheel Kit	WK75 (Standard)
Cam Holder	CH01 (Optional)
Shelf	SH02 (Optional)
PDU	PDU3S (Optional)



ST3L-BD
Single Light Pole Trolley
from 40" up to 65" with Fix Arms
Back to Back

SPECIFICATIONS & OPTIONS

Reference Code	ST3L-BD
Product Code	ST3L-B480D-LP150-FA300
Available Screen Size	40" ~ 65"
VESA Pattern	Min 100x100, Max 400x300
Maximum Load	30 kg. per screen
Fix Arms	Yes
Tilt Arms	Optional
Micro Adjustable Arms	Optional
Material	Steel, Aluminum, Plastic
Surface Finishing	Electrostatic Powder Coating
Colour Options	Black, Silver, White
Product Dimension	885x672x1698 mm (WxDxH)
Product Weight	27 kg.
Adjustable Base Feet	BF50 (Optional)
Wheel Kit	WK50 (Standard)
Cam Holder	CH01 (Optional)
Shelf	Sh03 (Optional)
PDU	PDU3S (Optional)



ST3S-BD
Single Strong Pole Trolley
from 40" up to 65" with Fix Arms
Back to Back

SPECIFICATIONS & OPTIONS

Reference Code	ST3S-BD
Product Code	ST3S-B480D-SP150D-FA400
Available Screen Size	40" ~ 65"
VESA Pattern	Min 100x100, Max 800x600
Maximum Load	35 kg. per screen
Fix Arms	Yes
Tilt Arms	Optional
Micro Adjustable Arms	Optional
Material	Steel, Aluminum, Plastic
Surface Finishing	Electrostatic Powder Coating
Colour Options	Black, Silver, White
Product Dimension	885x722x1698 mm (WxDxH)
Product Weight	34 kg.
Adjustable Base Feet	BF50 (Optional)
Wheel Kit	WK75 (Standard)
Cam Holder	CH01 (Optional)
Shelf	SH03 (Optional)
PDU	PDU3S (Optional)



ST3LD-BD
Double Light Pole Trolley
from 55" up to 88" with Fix Arms
Back to Back

SPECIFICATIONS & OPTIONS

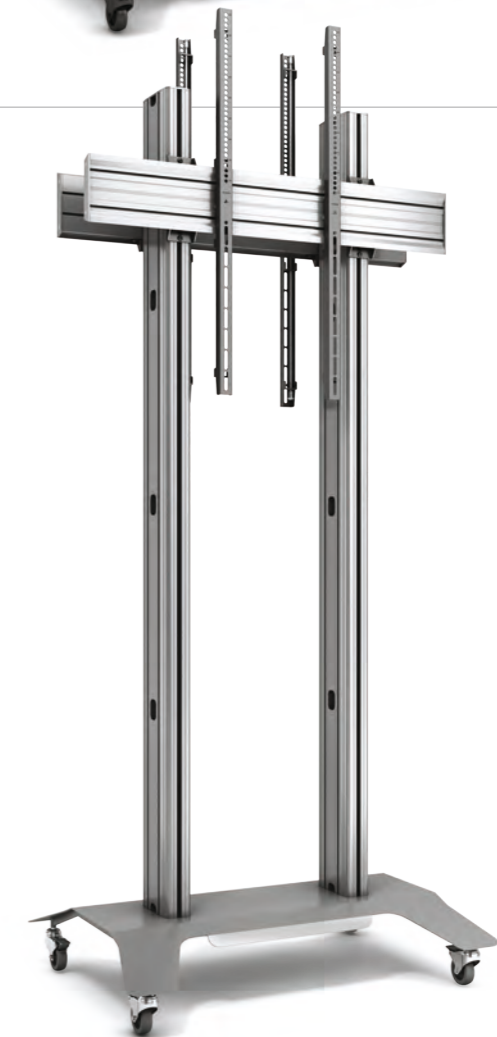
Reference Code	ST3LD-BD
Product Code	ST3LD-B880D-LP150D-FA600
Available Screen Size	55" ~ 88"
VESA Pattern	Min 100x100, Max 800x600
Maximum Load	40 kg. per screen
Fix Arms	Yes
Tilt Arms	Optional
Micro Adjustable Arms	Yes
Material	Steel, Aluminum, Plastic
Surface Finishing	Electrostatic Powder Coating
Colour Options	Black, Silver, White
Product Dimension	885x672x1698 mm (WxDxH)
Product Weight	39 kg.
Adjustable Base Feet	Bf50 (Optional)
Wheel Kit	WK50 (Standard)
Cam Holder	CH01 (Optional)
Shelf	SH03, SH04 (Optional)
PDU	PDU3S (Optional)



ST3SD-BD
Double Strong Pole Trolley
from 55" up to 98" with Fix Arms
Back to Back

SPECIFICATIONS & OPTIONS

Reference Code	ST3SD-BD
Product Code	ST3S-B880D-SP180D-FA900
Available Screen Size	55" ~ 98"
VESA Pattern	Min 100x100, Max 1200x900
Maximum Load	600 kg. per screen
Fix Arms	Yes
Tilt Arms	Optional
Micro Adjustable Arms	Optional
Material	Steel, Aluminum, Plastic
Surface Finishing	Electrostatic Powder Coating
Colour Options	Black, Silver, White
Product Dimension	1001x699x1827 mm (WxDxH)
Product Weight	46 kg.
Adjustable Base Feet	BF50 (Optional)
Wheel Kit	WK75 (Standard)
Cam Holder	CH01 (Optional)
Shelf	SH03, SH04 (Optional)
PDU	PDU3S (Optional)



ST2LD with ROT400
Double Light Pole Trolley
 from 55" up to 75" with Rotate & Tilt-up Arms

SPECIFICATIONS & OPTIONS

Reference Code	ST1LD
Product Code	ST2LD-LP170D-ROT400
Available Screen Size	55" ~ 75"
VESA Pattern	Min 200x200, Max 400x400
Maximum Load	50 kg.
Fix Arms	No
Tilt Arms	Yes (rotate & only tilt-up)
Micro Adjustable Arms	No
Material	Steel, Aluminum, Plastic
Surface Finishing	Electrostatic Powder Coating
Colour Options	Black, Silver, White
Product Dimension	1237x851x1925 mm (WxDxH)
Product Weight	27 kg.
Adjustable Base Feet	BF50 (Optional)
Wheel Kit	WK75 (Standard)
Cam Holder	CH01 (Optional)
Shelf	SH02, SH03 (Optional)
PDU	PDU3S (Optional)



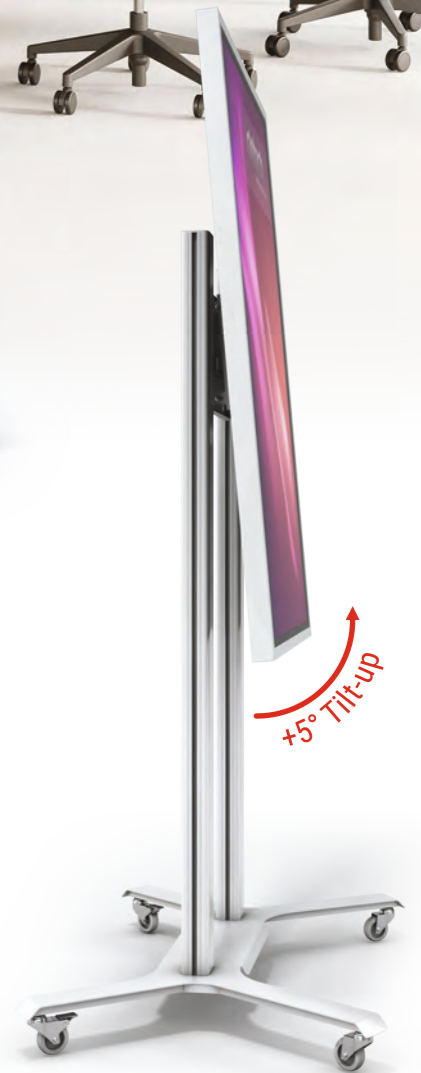
Cable Management System



±90°

Flip, Tilt, Roll: Your Monitor, Your Way™

Cletech Rotational Stand offers versatile compatibility, accommodating monitors ranging from 55" to 75". Specifically tailored for Samsung Flip Series products, this stand allows you to seamlessly switch between vertical and horizontal orientations. The 5-degree tilt-up feature enhances viewing flexibility, while the convenient wheels enable effortless mobility between different spaces. Available in three stylish colors—white, silver, and black—this stand combines functionality with aesthetic appeal, providing a reliable and adaptable solution for your monitor setup.



+5° Tilt-up

ST6MT-F
Motorized Single Pole Floor Stand
from 55" up to 86" with Fix Arms

SPECIFICATIONS & OPTIONS

Reference Code	ST6MT-F
Product Code	ST6MT-F-600
Available Screen Size	55" ~ 86"
VESA Pattern	Min 300x300, Max 800x600
Maximum Load	100 kg.
Fix Arms	Yes
Tilt Arms	No
Micro Adjustable Arms	No
Material	Steel, Aluminum, Plastic
Surface Finishing	Electrostatic Powder Coating
Colour Options	Black, Silver, White
Product Dimension	1288x783x1958 mm (WxDxH)
Product Weight	54 kg.
Adjustable Base Feet	Optional
Wheel Kit	WK70 (2 x Brake, 2 x Normal)
Cam Holder	CH02 (Optional)
Shelf	SH05 (Optional)
PDU	PDU3S (Optional)
Remote Control	Yes (wired, detachable)
Height Adjustment	500 mm
Min. Height (Center of Disp.)	1140 mm
Max. Height (Center of Disp.)	1640 mm



The monitor shown is 86".



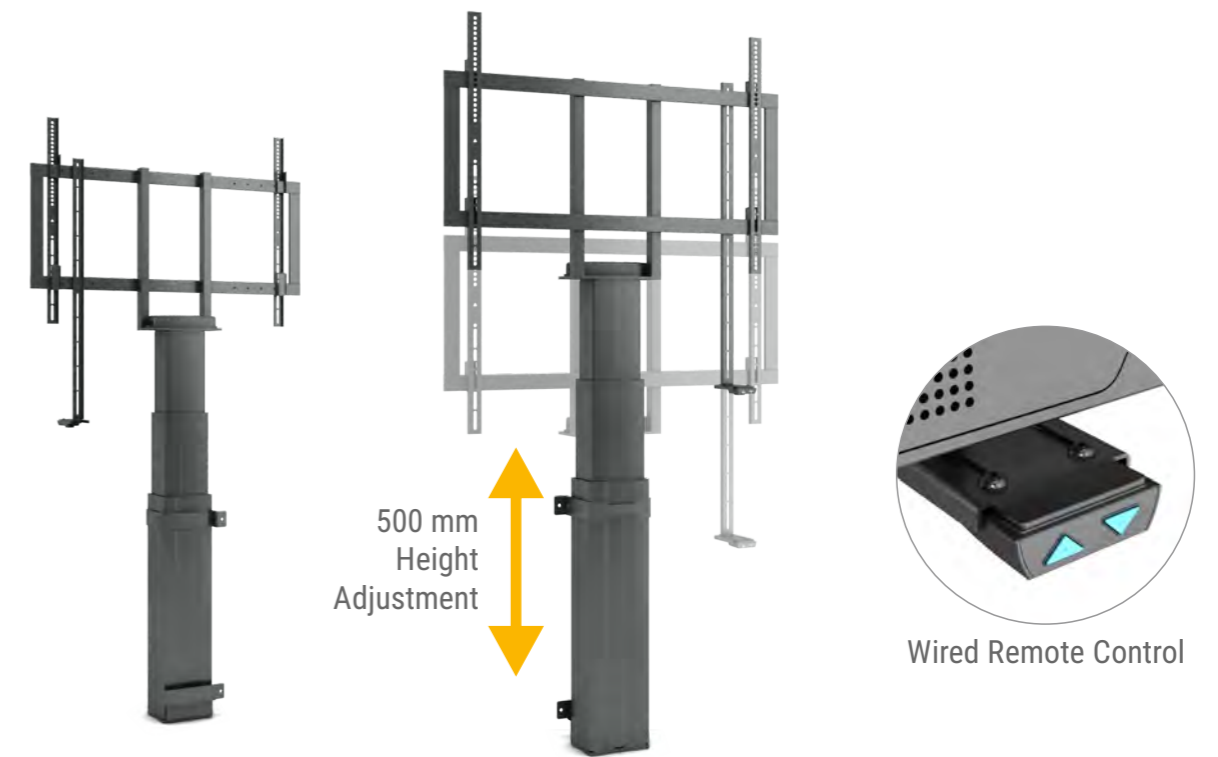
WMT-F
Motorized Single Pole Wall Mount
from 55" up to 86" with Fix Arms

SPECIFICATIONS & OPTIONS

Reference Code	WMT-F
Product Code	WMT-F-600
Available Screen Size	55" ~ 86"
VESA Pattern	Min 300x300, Max 800x600
Maximum Load	100 kg.
Fix Arms	Yes
Tilt Arms	No
Micro Adjustable Arms	No
Material	Steel, Aluminum, Plastic
Surface Finishing	Electrostatic Powder Coating
Colour Options	Black, Silver, White
Product Dimension	950x160x1858 mm (WxDxH)
Product Weight	40 kg.
Adjustable Base Feet	Optional
Wheel Kit	No
Cam Holder	CH02 (Optional)
Shelf	SH05 (Optional)
PDU	PDU3S (Optional)
Remote Control	Yes (wired, detachable)
Height Adjustment	500 mm
Min. Height (Center of Disp.)	1040 mm
Max. Height (Center of Disp.)	1540 mm



The monitor shown is 86".



FIX FLOOR MOUNTS

cletech



FX1L-B Single Light Pole Fix Floor Mount from 32" up to 65" with Fix Arms

SPECIFICATIONS & OPTIONS	
Reference Code	FX1L-B
Product Code	FX1L-B480-LP160-FA300
Available Screen Size	32" ~ 65"
VESA Pattern	Min 100x100, Max 400x300
Maximum Load	40 kg.
Fix Arms	Yes
Tilt Arms	Optional
Micro Adjustable Arms	Optional
Material	Steel, Aluminum, Plastic
Surface Finishing	Electrostatic Powder Coating
Colour Options	Black, Silver, White
Product Dimension	488x191x1612 mm (WxDxH)
Product Weight	11 kg.
Adjustable Base Feet	No
Wheel Kit	No
Cam Holder	CH01 (Optional)
Shelf	SH01 (Optional)
PDU	PDU3S (Optional)



FX2L-BD Single Light Pole Fix Floor Mount from 40" up to 65" with Fix Arms Back to Back

SPECIFICATIONS & OPTIONS	
Reference Code	FX2L-BD
Product Code	FX2L-B480D-LP150D-TA300
Available Screen Size	40" ~ 65"
VESA Pattern	Min 100x100, Max 400x300
Maximum Load	25 kg. per screen
Fix Arms	Optional
Tilt Arms	Yes
Micro Adjustable Arms	Optional
Material	Steel, Aluminum, Plastic
Surface Finishing	Electrostatic Powder Coating
Colour Options	Black, Silver, White
Product Dimension	488x191x1512 mm (WxDxH)
Product Weight	16 kg.
Adjustable Base Feet	No
Wheel Kit	No
Cam Holder	CH01 (Optional)
Shelf	SH03 (Optional)
PDU	PDU3S (Optional)



FX1S-B Single Strong Pole Fix Floor Mount from 40" up to 75" with Fix Arms

SPECIFICATIONS & OPTIONS	
Reference Code	FX1S-B
Product Code	FX1S-B680-SP180-FA400
Available Screen Size	40" ~ 75"
VESA Pattern	Min 100x100, Max 600x400
Maximum Load	50 kg.
Fix Arms	Yes
Tilt Arms	Optional
Micro Adjustable Arms	Optional
Material	Steel, Aluminum, Plastic
Surface Finishing	Electrostatic Powder Coating
Colour Options	Black, Silver, White
Product Dimension	688x209x1812 mm (WxDxH)
Product Weight	27 kg.
Adjustable Base Feet	No
Wheel Kit	No
Cam Holder	CH01 (Optional)
Shelf	SH01 (Optional)
PDU	PDU3S (Optional)



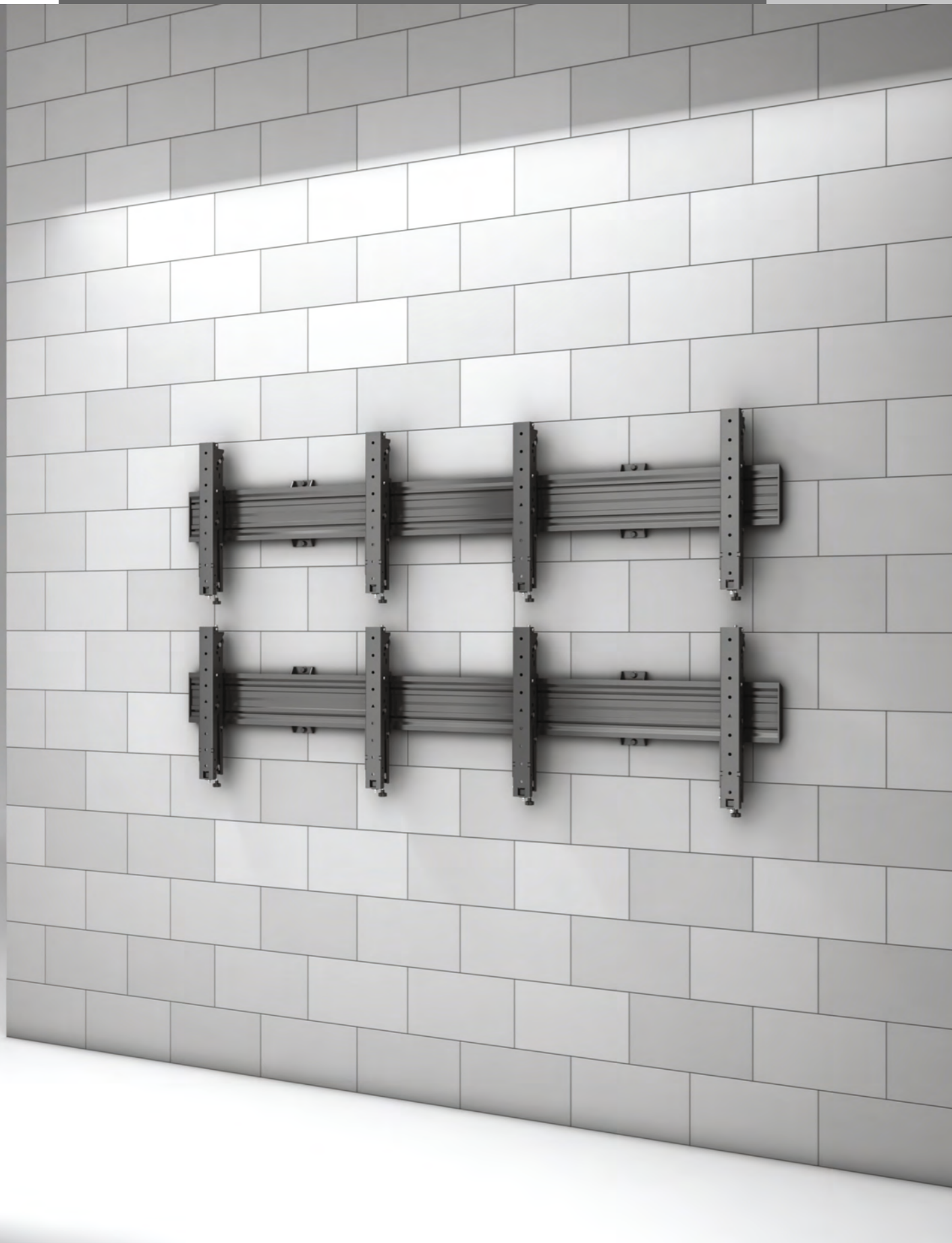
FX2S-BD Single Strong Pole Fix Floor Mount from 40" up to 75" with Fix Arms Back to Back

SPECIFICATIONS & OPTIONS	
Reference Code	FX2S-BD
Product Code	FX2S-B480D-SP150D-FA400
Available Screen Size	40" ~ 75"
VESA Pattern	Min 100x100, Max 600x400
Maximum Load	30 kg. per screen
Fix Arms	Yes
Tilt Arms	Optional
Micro Adjustable Arms	Optional
Material	Steel, Aluminum, Plastic
Surface Finishing	Electrostatic Powder Coating
Colour Options	Black, Silver, White
Product Dimension	488x229x1512 mm (WxDxH)
Product Weight	28 kg.
Adjustable Base Feet	No
Wheel Kit	No
Cam Holder	CH01 (Optional)
Shelf	SH03 (Optional)
PDU	PDU3S (Optional)



MULTI DISPLAY MOUNTS

cletech



ST5L 3x3 Floor Stand Video Wall Mount from 46" up to 49" with Pro Arms

SPECIFICATIONS & OPTIONS

Reference Code	ST5L
Product Code	ST5L-3340-LP250-PRO400
Available Screen Size	46" ~ 49"
VESA Pattern	Min 100x100, Max 600x400
Maximum Load	25 kg. per screen
Fix Arms	No
Tilt Arms	No
Micro Adjustable Arms	Yes
Material	Steel, Aluminum, Plastic
Surface Finishing	Electrostatic Powder Coating
Colour Options	Black, Silver, White
Product Dimension	2708x900x2561 mm (WxDxH)
Product Weight	80 kg.
Adjustable Base Feet	Standard
Wheel Kit	WK50 (Optional)
Cam Holder	CH01 (Optional)
Shelf	SH03 (Optional)
PDU	PDU3S, PDU8S (Optional)



FX2S Fixed Floor Mount Video Wall from 46" up to 49" with Pro Arms

SPECIFICATIONS & OPTIONS

Reference Code	FX2S
Product Code	FX2S-2240D-LP180-PRO400
Available Screen Size	46" ~ 49"
VESA Pattern	Min 100x100, Max 600x400
Maximum Load	30 kg. per screen
Fix Arms	No
Tilt Arms	No
Micro Adjustable Arms	Yes
Material	Steel, Aluminum, Plastic
Surface Finishing	Electrostatic Powder Coating
Colour Options	Black, Silver, White
Product Dimension	1908x360x1866 mm (WxDxH)
Product Weight	80 kg.
Adjustable Base Feet	No
Wheel Kit	No
Cam Holder	CH01 (Optional)
Shelf	SH03 (Optional)
PDU	PDU3S, PDU8S (Optional)



ST5LM 2x2 Mobile Stand Video Wall Mount from 46" up to 49" with Pro Arms

SPECIFICATIONS & OPTIONS

Reference Code	ST5LM
Product Code	ST5LM-2240-LP180-PRO400
Available Screen Size	46" ~ 49"
VESA Pattern	Min 100x100, Max 600x400
Maximum Load	25 kg. per screen
Fix Arms	No
Tilt Arms	No
Micro Adjustable Arms	Yes
Material	Steel, Aluminum, Plastic
Surface Finishing	Electrostatic Powder Coating
Colour Options	Black, Silver, White
Product Dimension	1908x900x1934 mm (WxDxH)
Product Weight	68 kg.
Adjustable Base Feet	Bf50 (Optional)
Wheel Kit	Yes
Cam Holder	CH01 (Optional)
Shelf	SH03 (Optional)
PDU	PDU3S, PDU8S (Optional)



FX2CL 2x1 Ceiling Mount Menuboard from 40" up to 55" with Tilt Arms

SPECIFICATIONS & OPTIONS

Reference Code	FX2CL
Product Code	FX2CL-2140-LP110-TA300
Available Screen Size	40" ~ 55"
VESA Pattern	Min 100x100, Max 400x300
Maximum Load	25 kg. per screen
Fix Arms	Optional
Tilt Arms	Yes
Micro Adjustable Arms	Optional
Material	Steel, Aluminum, Plastic
Surface Finishing	Electrostatic Powder Coating
Colour Options	Black, Silver, White
Product Dimension	1908x353x1167 mm (WxDxH)
Product Weight	23 kg.
Adjustable Base Feet	No
Wheel Kit	No
Cam Holder	CH01 (Optional)
Shelf	SH01 (Optional)
PDU	PDU3S, PDU8S (Optional)



WM-2140 2x1 Wall Mount Menuboard from 40" up to 55" with Tilt Arms

SPECIFICATIONS & OPTIONS

Reference Code	WM-2140
Product Code	WM-2140-TA400
Available Screen Size	40" ~ 55"
VESA Pattern	Min 100x100, Max 400x300
Maximum Load	25 kg. per screen
Fix Arms	Optional
Tilt Arms	Yes
Micro Adjustable Arms	Optional
Material	Steel, Aluminum, Plastic
Surface Finishing	Electrostatic Powder Coating
Colour Options	Black, Silver, White
Product Dimension	1908x126x430 mm (WxDxH)
Product Weight	16 kg.
Adjustable Base Feet	No
Wheel Kit	No
Cam Holder	CH01 (Optional)
Shelf	No
PDU	PDU3S, PDU8S (Optional)



FX2CL 2x2 Ceiling Mount Video Wall from 46" up to 49" with Pro Arms

SPECIFICATIONS & OPTIONS

Reference Code	FX2CL
Product Code	FX2CL-2240-LP180-PRO400
Available Screen Size	46" ~ 49"
VESA Pattern	Min 100x100, Max 600x400
Maximum Load	25 kg. per screen
Fix Arms	No
Tilt Arms	No
Micro Adjustable Arms	Yes
Material	Steel, Aluminum, Plastic
Surface Finishing	Electrostatic Powder Coating
Colour Options	Black, Silver, White
Product Dimension	1908x190x1892 mm (WxDxH)
Product Weight	68 kg.
Adjustable Base Feet	No
Wheel Kit	No
Cam Holder	CH01 (Optional)
Shelf	SH01 (Optional)
PDU	PDU3S, PDU8S (Optional)



WM-2240 2x2 Video Wall Mount from 46" up to 49" with Tilt Arms

SPECIFICATIONS & OPTIONS

Reference Code	WM-2240
Product Code	WM-2240-PRO400
Available Screen Size	46" ~ 49"
VESA Pattern	Min 100x100, Max 600x400
Maximum Load	25 kg. per screen
Fix Arms	No
Tilt Arms	No
Micro Adjustable Arms	Yes
Material	Steel, Aluminum, Plastic
Surface Finishing	Electrostatic Powder Coating
Colour Options	Black, Silver, White
Product Dimension	1908x126x1200 mm (WxDxH)
Product Weight	46 kg.
Adjustable Base Feet	No
Wheel Kit	No
Cam Holder	CH01 (Optional)
Shelf	No
PDU	PDU3S, PDU8S (Optional)



ARMS

Fixed, Tilt, Micro Adjustment, Pop-up

TILT ARMS

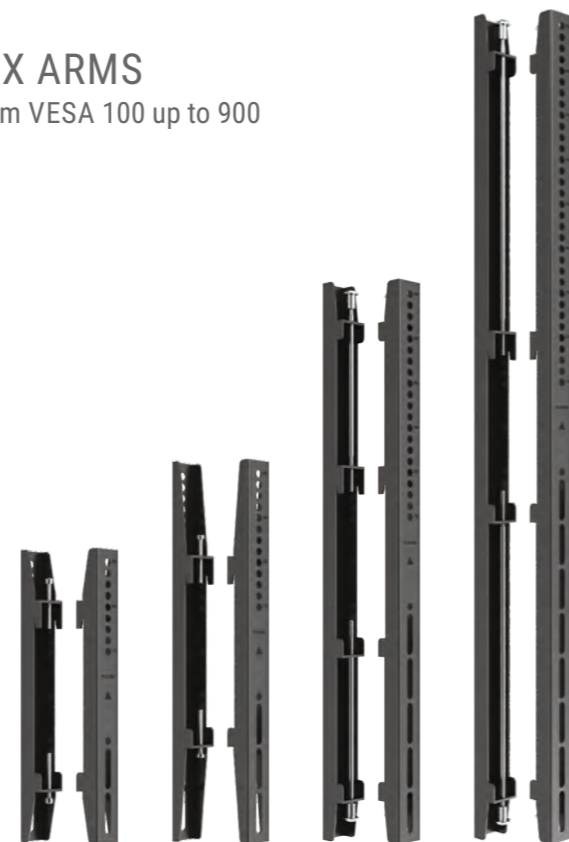
-6° ~ +12°



TA300 VESA 300 TA400 VESA 400 TA600 VESA 600 TA900 VESA 900

FIX ARMS

from VESA 100 up to 900



FA300 VESA 300 FA400 VESA 400 FA600 VESA 600 FA900 VESA 900

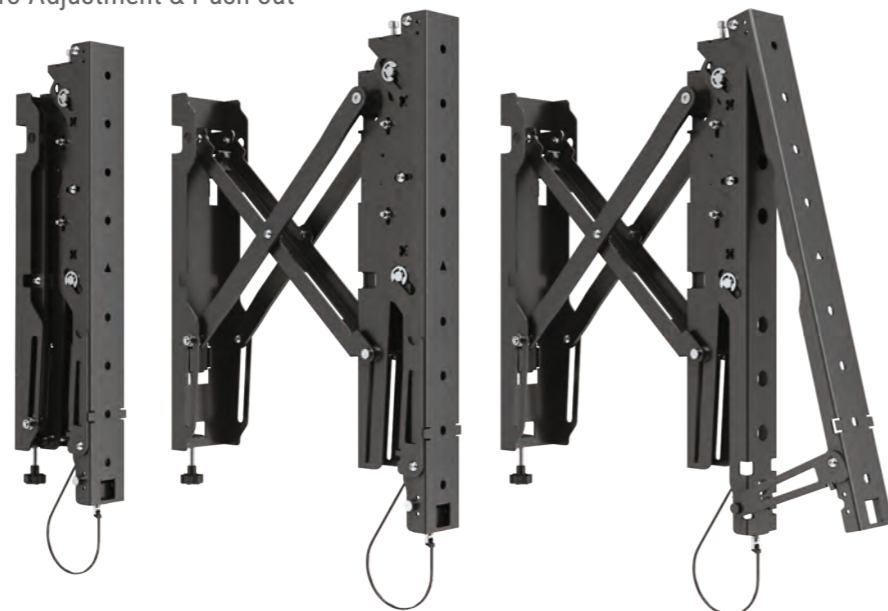
PRO ARMS

Micro Adjustment



POP-UP ARMS

Micro Adjustment & Push out



PROFILES

Poles & Bars

BARS

Horizontal Mounting Rail



LIGHT POLE

Vertical Column with Cable Management

STRONG POLE

Vertical Column with Cable Management



CONNECTORS

Poles, Bars, Wall



SPCP
Strong Pole
Connecting Part



LPCP
Light Pole
Connecting Part



BRCP
Horizontal Rail
Connecting Part



WCP
Wall Mount
Connecting Part

ACCESSORIES

Wheels, Feet



WK75
Wheel Diameter
75 mm

WK50
Wheel Diameter
50 mm



BF40
Adjustable Feet
Diameter 40 mm

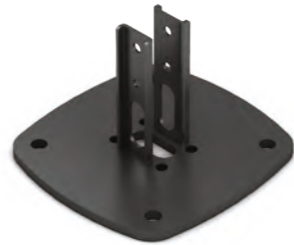
BF50
Adjustable Feet
Diameter 50 mm

BASES

Fixed, Stand Floor, Trolley



FX1L
Fix Base for
Light Pole



FX2L / FX2CL
Fix & Ceiling Base
for Light Pole



FX1S
Fix Base for
Strong Pole

FX2S / FX2CS
Fix & Ceiling Base
for Strong Pole



ST1L
Floor Stand
for Light Pole



ST2L
Trolley for
Light Pole



ST1S
Floor Stand
for Strong Pole



ST2LD
Trolley for
Double Light Pole



ST1LD
Floor Stand for
Double Light Pole



ST2S
Trolley for
Strong Pole



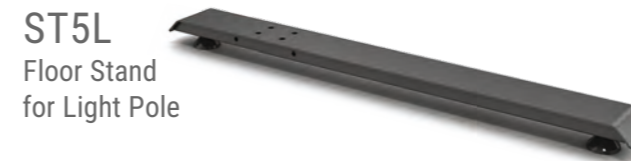
ST3L
Trolley for
Light Pole



ST3LD
Trolley for
Double
Light Pole



ST3S
Trolley for
Strong Pole



ST5L
Floor Stand
for Light Pole

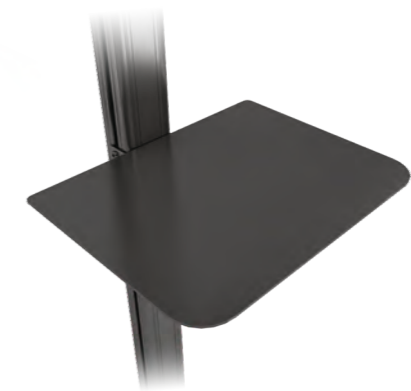


ST5LM
Trolley
for Light Pole

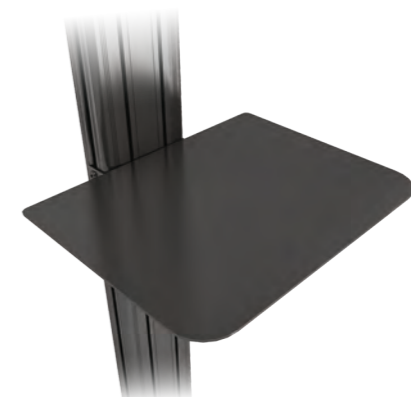
ACCESSORIES

Cam Holder, Shelves

CH01
Cam Holder for
Horizontal Bar



SH01
Shelf for
Light Pole



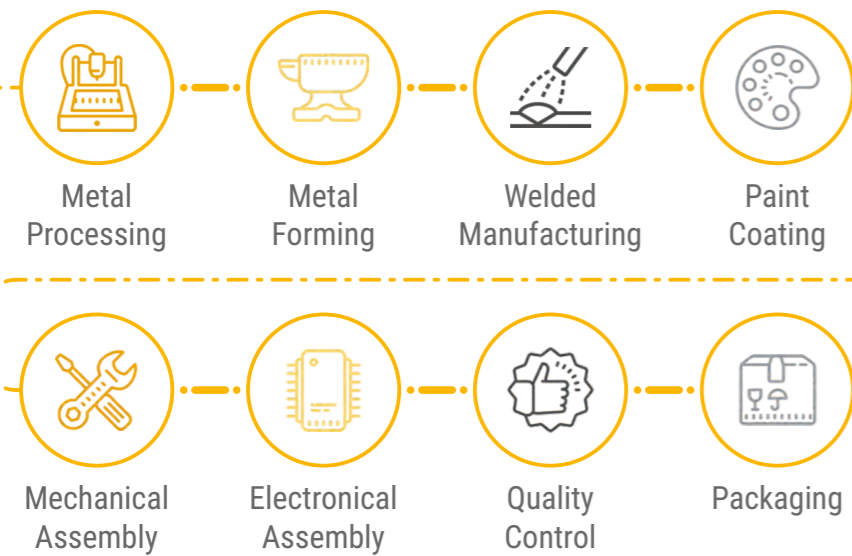
SH02
Shelf for
Strong Pole

INNOVATIVE AND CREATIVE SOLUTIONS

Who we are?

Cletech, a registered trademark of HİRAŞ LTD., was established in 1994. Digital Signage Projects and Digital Signage Enclosures are being served to end users and to integrators by Cletech that has been manufacturing for 29 years in Manisa where is one of the largest industrial cities of Turkey.

As Cletech, we follow all production processes in our factory. Quality is under control with metal processing, forming, dyehouse, electronic and mechanical assembly lines. We combine innovative solutions with our products continuously at the time technology is developing very fast. In addition to our standard products, we can offer solutions to special projects. We also have expertise in fully customizable products with custom product designs, color and material variety, extra hardware options. We transfer our experiences that have gained through the global projects carried out to new projects. We determine our sales strategies especially with high product quality and affordable price policy.



cletech

